

Math 16A (Summer 2007)

Kouba

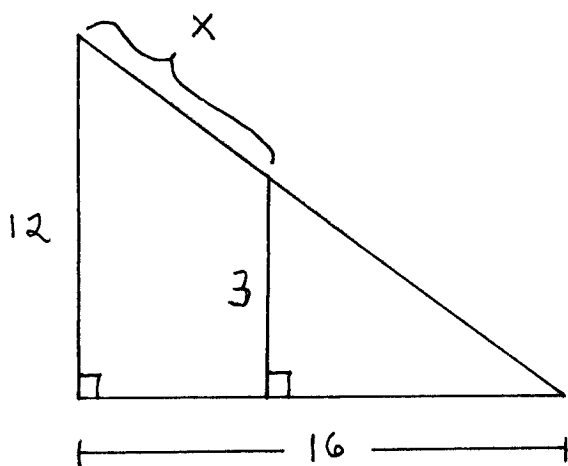
Quiz 1

PRINT Name : -----

Exam ID # : -----

1.) (10 pts.) Determine the center and radius of the circle given by : $x^2 - 2x + y^2 + 6y = -6$

2.) (10 pts.) Solve for x in the following diagram :



3.) (10 pts.) Let $f(x) = \frac{3}{x+4}$ and $g(x) = \frac{x}{1-x}$. Find and simplify the functional composition $f(g(x))$.